

RERC-33/4310

9/10/2007

Hardware Kit to assemble both the uprights (left & right)

RERC-3310, & RERC-4310

- Bolt M10x1.5x65 ----- 20pcs.
- Washer M10 ----- 20pcs.
- Lock Nut M10 ----- 20 pcs.
- Spacers ----- 4pcs.
- Anchor Bolts M10x80 ---- 4pcs.



Fig.1

Guide Rail ---- 2 pcs.



Fig.2

Brace Sets:

- 30" ---- 2 pcs.
- 35 11/16" ---- 2 pcs.
- 24 1/4" ----- 2 pcs.
- 33" ----- 2 pcs.
- 17 3/4" ----- 2 pcs.
- 29 1/2" ----- 2 pcs.
- 11 1/2" ----- 2 pcs.
- 27 1/8" ----- 2 pcs.
- 5 1/2" ----- 2 pcs.

Spacer @ the top

Braces

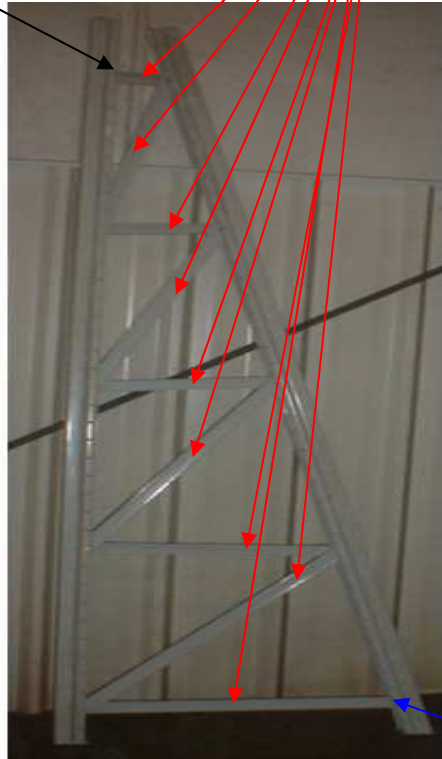


Fig.3

Spacer @ the bottom



Fig.4

Hardware to assemble connect beams (4pcs.), reel rods (4 pcs.) & hooks (8 pcs.):

Bolt M10x1.5x20 ---- 16 pcs.

Washer M10 ----- 16 pcs.

Lock nut M10x1.5 ---- 16 pcs.

Safety Pins to hold the hooks and connect beams ----- 8 pcs.



Fig.5

4 pcs.of connect beams



Fig.6

This photo shows how to assemble connect beam.



Fig.7

This photo below shows how to assemble Hooks and Reel Rod

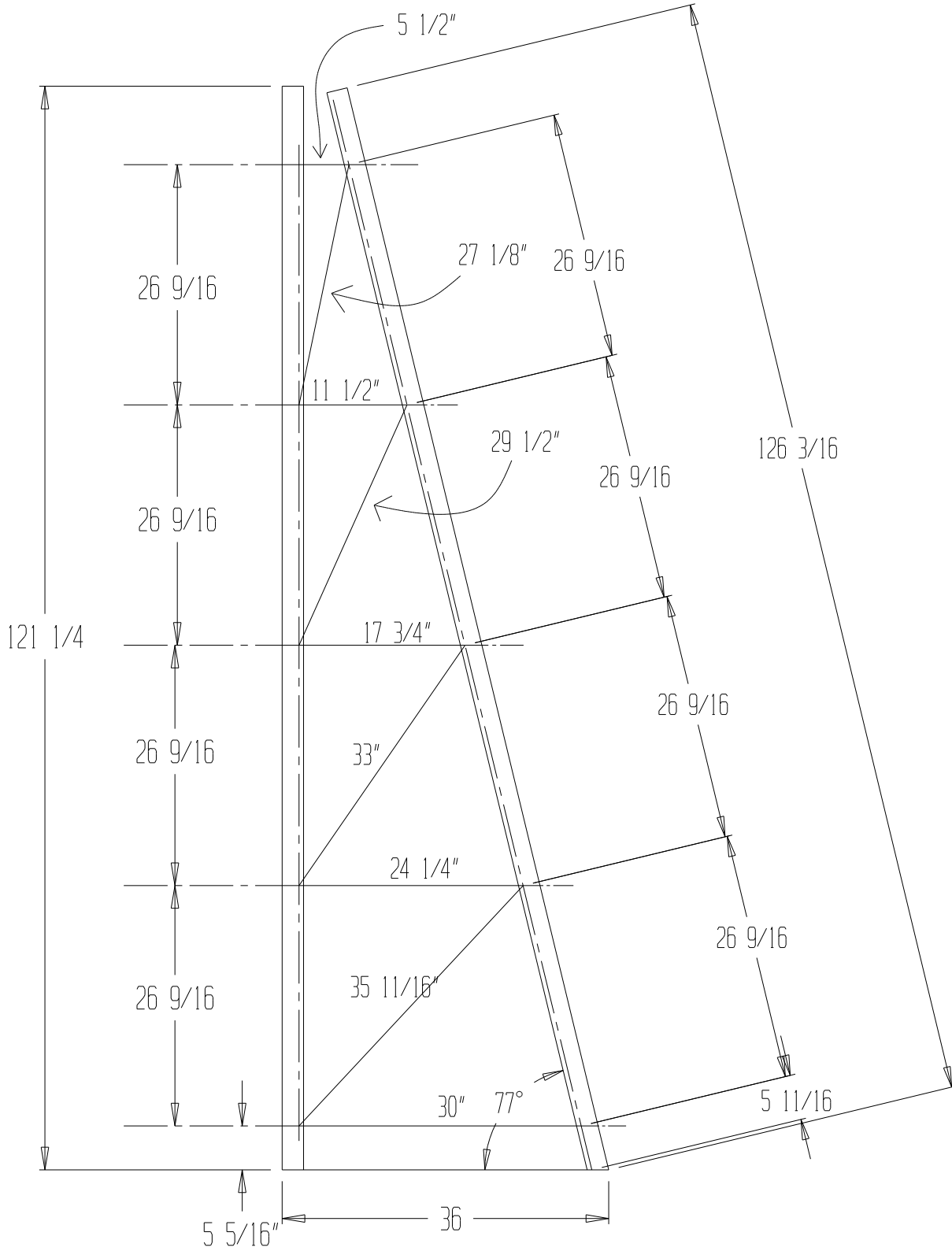


Fig.8



Fig.9

- REEL RACKS -



VESTIL MANUFACTURING

Vestil Manufacturing
Angola, In 46703 USA
PH 260-665-7586 FX 260-665-1339

DRWG./FILE NAME:
REEL RACK-10

RERC-33/4310 - ADD ON

9/15/2007

Hardware Kit to assemble one upright

RERC-3310, & RERC-4310

Bolt M10x1.5x65 ----- 10pcs.

Washer M10 ----- 10pcs.

Lock Nut M10 ----- 10 pcs.

Spacers ----- 2pcs.

Anchor Bolts M10x80 ----- 2pcs.



Fig.1

Guide Rail -- 1 PC.

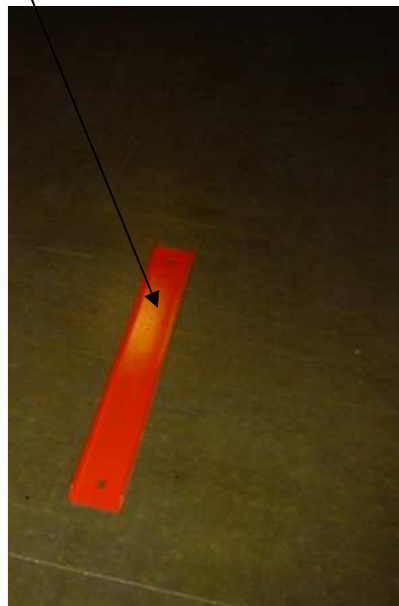


Fig.2

Braces for Upright

- 30" ---- 1 pc.
- 35 11/16" ---- 1 pc.
- 24 1/4" ----- 1 pc.
- 33" ----- 1 pc.
- 17 3/4" ----- 1 pc.
- 29 1/2" -----1 pc.
- 11 1/2" -----1 pc.
- 27 1/8" ----- 1pc.
- 5 1/2" ----- 1 pc.

Spacer @ the top

Braces

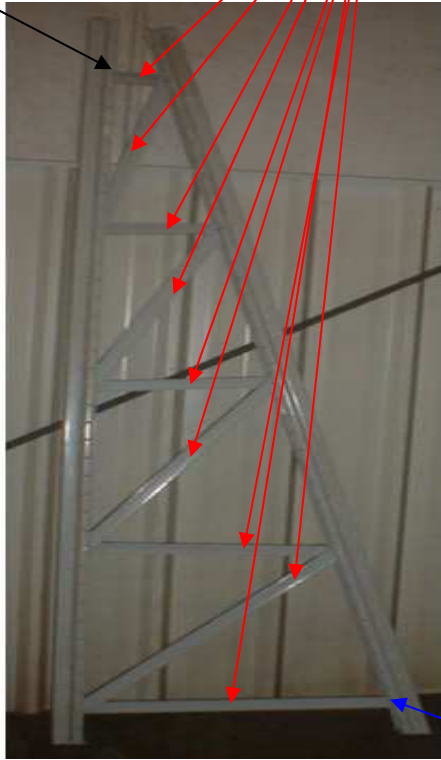


Fig.3

Spacer @ the bottom



Fig.4

5-5/16"
2nd hole from bottom

5-11/16"
2nd hole from bottom

Hardware to assemble connect beams (4pcs.), reel rods (4 pcs.) & hooks (8 pcs.):

Bolt M10x1.5x20 ---- 16 pcs.

Washer M10 ----- 16 pcs.

Lock nut M10x1.5 ---- 16 pcs.

Safety Pins to hold the hooks and connect beams ----- 8 pcs.



Fig.5

4 pcs.of connect beams



Fig.6